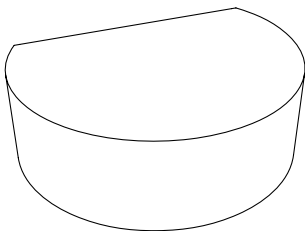


ASSEMBLY INSTRUCTION

Wallie



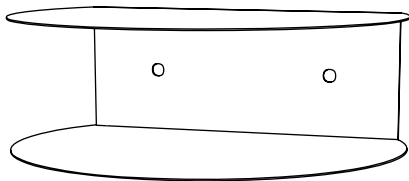
WOUD

**WALLIE IS DESIGNED TO BE A SIMPLE
AND FUNCTIONAL STORAGE SOLUTION
SUITABLE FOR DIFFERENT ROOMS. MY
FOCUS WHEN DESIGNING WALLIE WAS
TO MAKE A VISUALLY STRONG DESIGN
THAT CAN HANG ON ITS OWN AND
EASILY BE COMBINED WITH OTHER
DESIGNS AS WELL.**

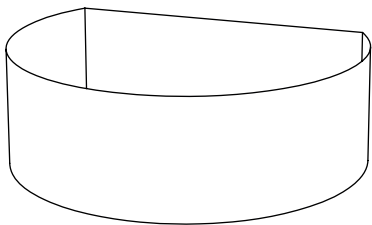
A handwritten signature in black ink, reading "Amalie Skov Rahbæk". The signature is fluid and cursive, with a large initial 'A' and 'S'.

AMALIE SKOV RAHBÆK

A x 1



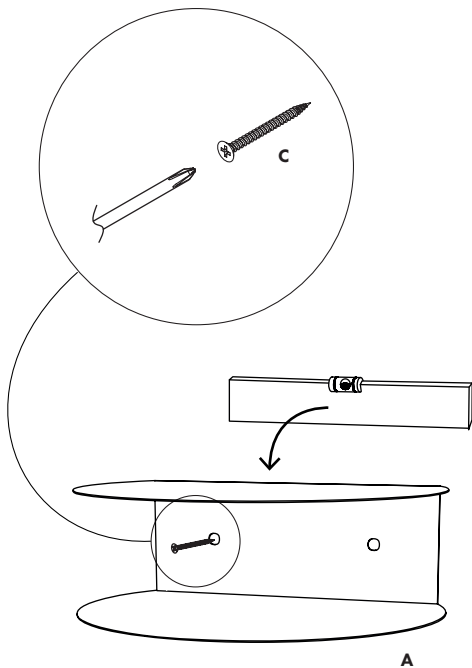
B x 1



C x 2

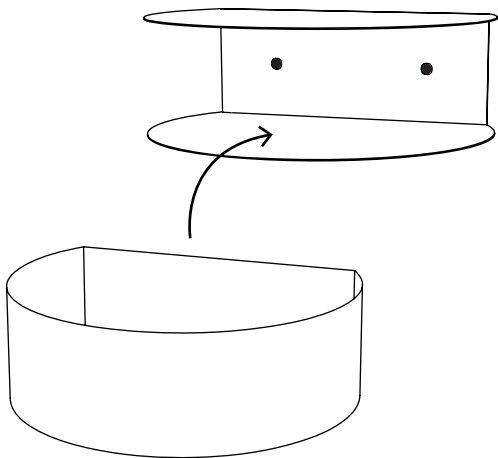
STEP 1

LEVEL THE METAL BRACKET BEFORE MARKING THE TWO SPOTS. DEPENDING ON YOUR WALL, WE RECOMMEND THAT YOU DRILL TWO HOLES AND USE SUITABLE WALL PLUGS. THEN MOUNT THE METAL BRACKET WITH THE TWO SCREWS.



STEP 2

PLACE THE WOOD DRAWER INSIDE THE METAL BRACKET.



B

DESIGNED BY
AMALIE SKOV RAHBÆK