

# **SUSPENDED**

**ASSEMBLY INSTRUCTION**

**WOUD**

I HAVE AIMED TO CREATE SOMETHING BEAUTIFUL AND SIMPLE, WITH ORIGINALITY EMBEDDED IN THE DETAIL. IF I HAD ONE MORE WORD TO DESCRIBE IT, IT WOULD BE 'HONESTY' - REFLECTING THE NATURAL MATERIALS USED, THE CONSTRUCTION, AND EVEN THE PRODUCT NAME ITSELF. I HOPE IT TICKS ALL THE BOXES FOR YOU, SERVING AS A LIFELONG COMPANION.

A stylized, handwritten signature in black ink, appearing to read 'Oleg Pugachev'.

OLEG PUGACHEV

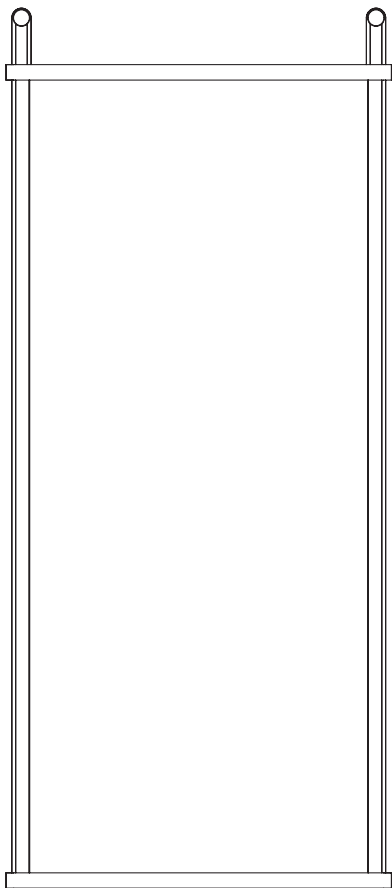
**TAKE CARE**

**WE HAVE NOW HANDED OVER  
ONE OF OUR DARLINGS TO YOU.  
NOW IT IS YOURS. TAKE GOOD  
CARE OF IT. YOU CAN READ THE  
CARE INSTRUCTIONS FOR ALL  
OUR MATERIALS AT OUR WEBSITE.**

**WOUD.DK/TAKECARE**

# **ASSEMBLY INSTRUCTION**

**PLEASE GO THROUGH THE FOLLOWING  
STEPS CAREFULLY. RETAIN THIS MANUAL  
FOR FUTURE REFERENCE TO ENSURE THAT  
YOUR NEW ITEM IS CORRECTLY ASSEMBLED  
IN CASE IT SHOULD BE DISASSEMBLED OR  
MOVED. WE ARE NOT RESPONSIBLE FOR  
ANY FAULTS OR DAMAGES CAUSED BY  
NOT FOLLOWING THESE INSTRUCTIONS  
CORRECTLY.**



**D X 2**



**E X 2**



**C X 2**



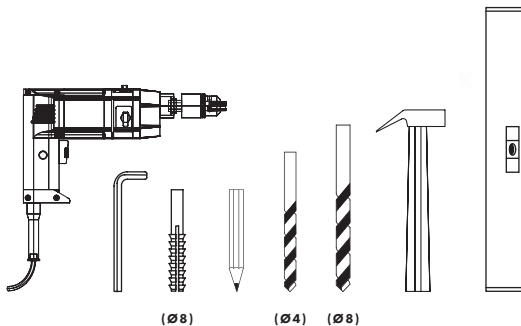
**B X 2**



**A X 1**

# TOOLS NEEDED

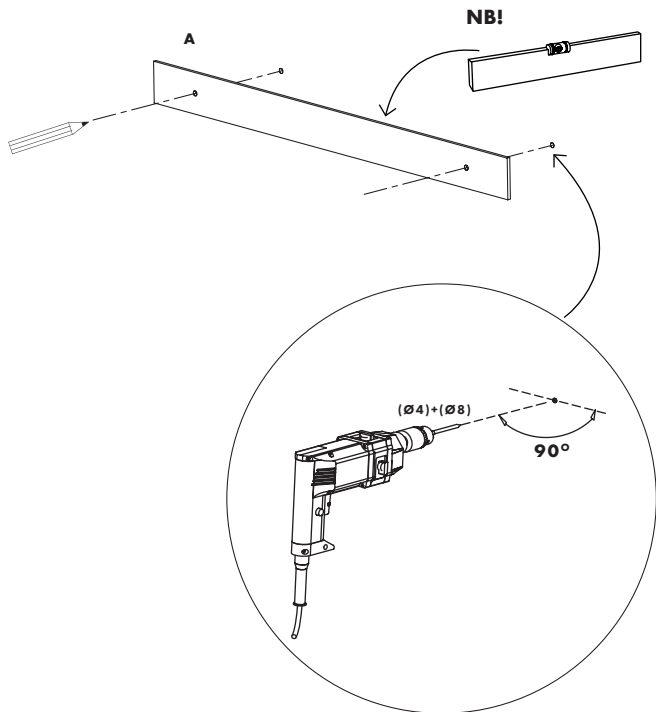
**IMPORTANT!**  
THESE ITEMS ARE NOT INCL. AND CAN BE PURCHASED IN THE STORES.  
USE WALL PLUGS AND DRILLS SUITABLE FOR YOUR WALL. BE CAREFUL  
WITH THIN/PLASTER/DRY WALLS AND SOLID CONCRETE WALLS. IN CASE  
OF DOUBT, WE RECOMMEND THAT YOU ASK A PROFESSIONAL.



# STEP 1

PLACE THE TEMPLATE ON THE WALL AND MARK OUT WHERE TO DRILL.  
IMPORTANT! FIRST USE THE ( $\varnothing 4$ ) DRILL BIT AND THEN THE ( $\varnothing 8$ ) DRILL BIT TO MAKE SURE THE HOLE IS PRECISELY WHERE IT NEEDS TO BE.

THE DRILL END IS NOT INCLUDED,  
WE RECOMMEND THAT YOU CHECK WHICH DRILL END IS SUITABLE  
FOR YOUR WALL TYPE.

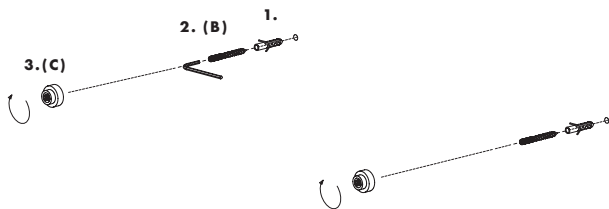




## STEP 2

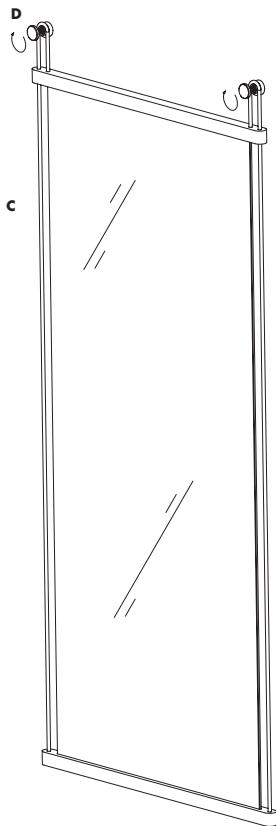
1. APPLY THE WALL PLUGS (CAREFULLY HAMMER THEM IN IF NEEDED).
2. SCREW THE PROVIDED SCREW WITH AN ALLEN KEY.
3. MOUNT THE MIRROR FITTING ON TO THE END OF THE SCREW.

THE WALL PLUGS AND ALLEN KEY ARE NOT INCLUDED, WE RECOMMEND THAT YOU CHECK YOU HAVE THE CORRECT PLUG FOR THE WALL TYPE.



## STEP 3

PLACE THE MIRROR ON TO THE MIRROR FITTINGS AND SCREW ON THE CAPS SO THE MIRROR IS FIXED TO THE WALL.



SEE [WWW.WOUD.DK](http://WWW.WOUD.DK) FOR CARE INSTRUCTIONS.  
PLEASE BE GENTLE WHEN CLEANING THE MIRRORS.

DESIGNED BY  
**OLEG PUGACHEV**