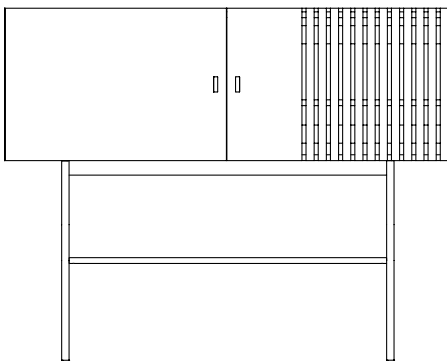


ASSEMBLY INSTRUCTION

Array



WOUD

ARRAY IS INSPIRED BY THE WOODEN SLATE CLADDING FOUND IN MODERN ARCHITECTURE. WITH ITS GEOMETRIC SHAPE AND HORIZONTAL SLATES, ARRAY CREATES A STRONG VISUAL DEPTH EFFECT FROM CATCHING BOTH LIGHT AND SHADOW. THE ILLUSION OF TRANSPARENCY IS INTENDED TO CREATE A FEELING OF GROWING CURIOSITY AS YOU GET A GLIMPSE OF WHAT IS HIDDEN BEHIND THE CLOSED DOORS. THE SLEEK LEGS LIFT THE SIDEBOARD FROM THE GROUND CREATING AN ELEGANT CONTRAST BETWEEN THE SOLID WOODEN CABINET ON TOP AND THE THIN METAL CONSTRUCTION UNDERNEATH. THE ARRAY SERIES IS GRAPHICAL AND MODERN IN ITS EXPRESSION WITH A MYSTERIOUS SHELL TO CONTAIN YOUR PERSONAL ITEMS.

Kasper & Nikolaj
SAYS WHO

ASSEMBLY INSTRUCTION

**PLEASE GO THROUGH THE FOLLOWING
STEPS CAREFULLY. RETAIN THIS MANUAL
FOR FUTURE REFERENCE TO ENSURE THAT
YOUR NEW ITEM IS CORRECTLY ASSEMBLED
IN CASE IT SHOULD BE DISASSEMBLED OR
MOVED. WE ARE NOT RESPONSIBLE FOR
ANY FAULTS OR DAMAGES CAUSED BY
NOT FOLLOWING THESE INSTRUCTIONS
CORRECTLY.**

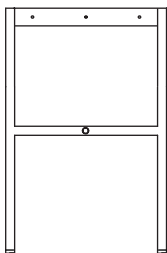
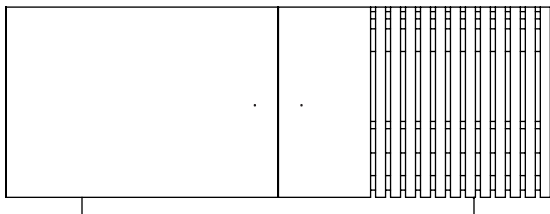
THIS INSTRUCTIONS MANUAL IS VALID FOR:

ARRAY SIDEBOARD (120 CM)

ARRAY SIDEBOARD (180 CM)

ARRAY HIGHBOARD (80 CM)

A X 1



B X 2



C X 1



D X 6



E X 2



F X 1



G X 1

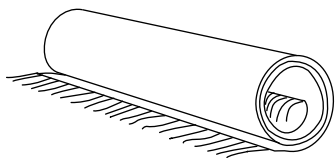


H X 2



I X 2

TOOLS NEEDED



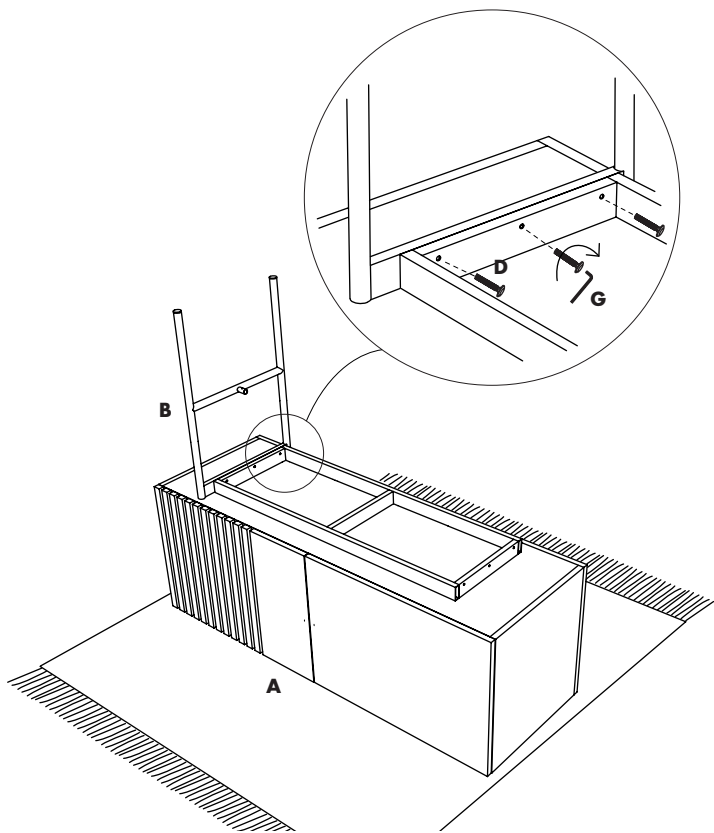
x 2



x 2

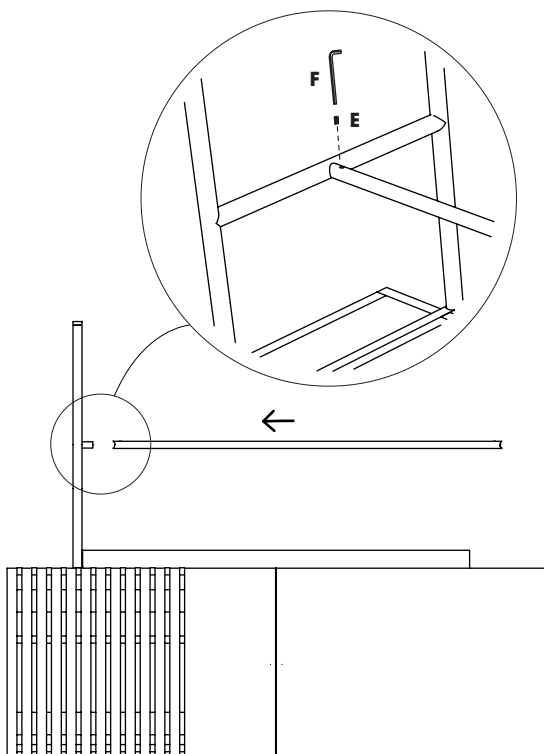
STEP 1

MOUNT THE LEGS ON THE METAL FRAME UNDER THE WOODEN CABINET



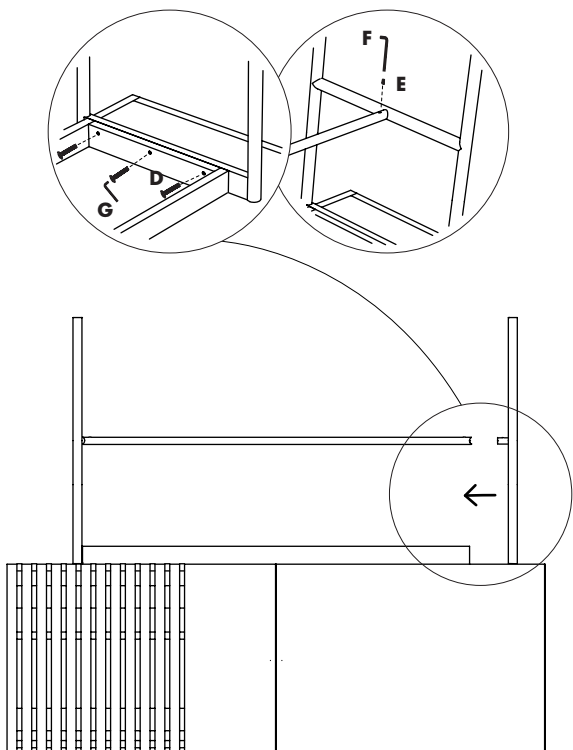
STEP 2

MOUNT THE METAL CROSSBAR ONTO THE LEG



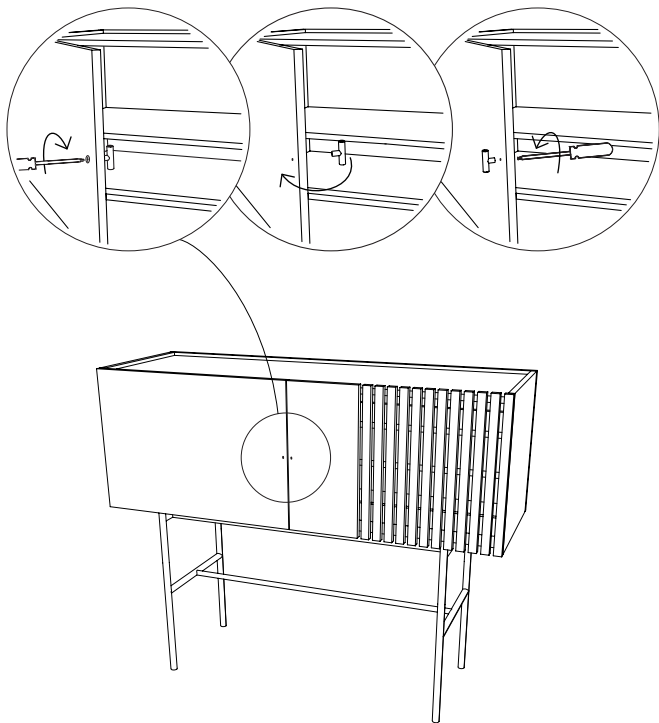
STEP 3

MOUNT THE SECOND LEG ON THE METAL FRAME AND CROSSBAR



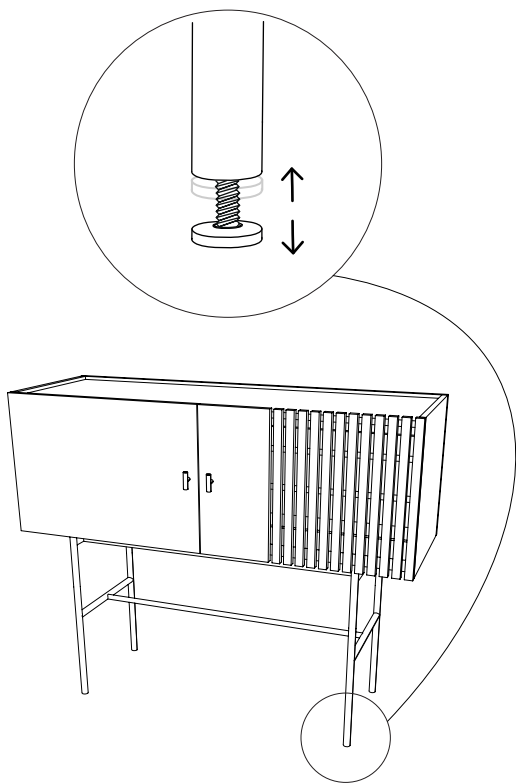
STEP 4

DETACH THE HANDLES FROM THE INSIDE OF THE CABINET
AND ATTACH THEM ON THE OUTSIDE OF THE WOODEN DOORS



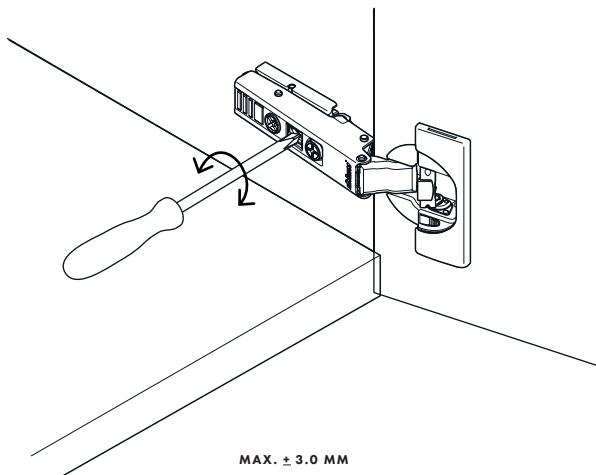
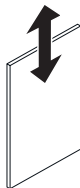
STEP 5

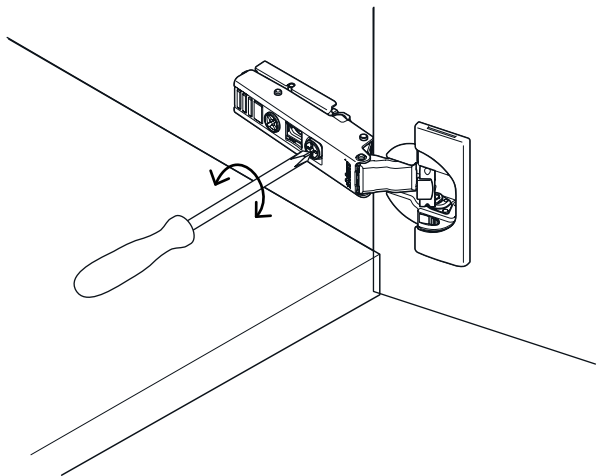
ADJUST THE FEET TO LEVEL THE CABINET



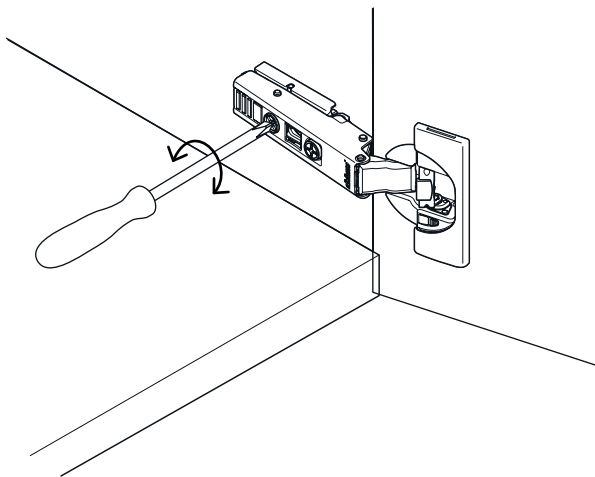
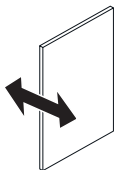
ADJUSTMENT INSTRUCTIONS

SHOULD YOU NEED TO LEVEL THE DOORS,
PLEASE FOLLOW THESE INSTRUCTIONS.





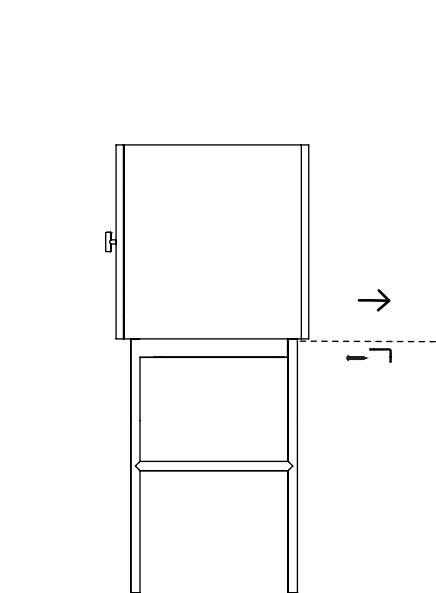
$\pm 2.0 \text{ MM}$



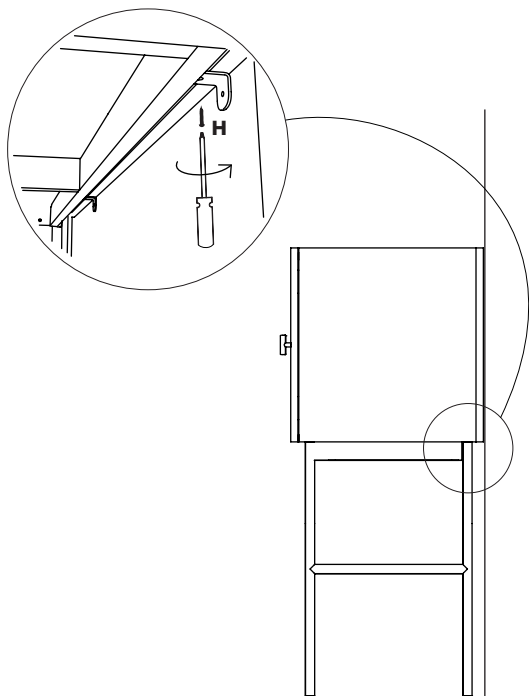
+ 3.0 / - 2.0 MM

SAFETY INSTRUCTIONS

TO PREVENT THIS FURNITURE FROM TIPPING OVER
RESULTING IN SERIOUS OR FATAL INJURIES, IT MUST
BE PERMANENTLY FIXED TO THE WALL



MEASURE THE HEIGHT AND DRILL HOLES IN THE WALL. APPLY WALL PLUGS THAT ARE SUITABLE FOR YOUR WALL. MOUNT THE METAL BRACKET TO THE WALL WITH SUITABLE SCREWS AND THEN MOUNT THE BRACKET TO THE CABINET.



DESIGNED BY
SAYS WHO