

ANDERSEN

QUALITY MEETS DESIGN



HC1 BAR STOOL

Design: Anne Quist



HC1 BAR STOOL IN TASTEFUL DESIGN

The HC1 bar stool is designed by Anne Qvist and is characterised by its tasteful design. The stool has a wonderful lightness and a soft aesthetic. It is elegant and can be used in many contexts.

The stool comes in several models and styles. The beautiful wooden base is available in white pigmented matte lacquered oak or black lacquered oak, and comes in two heights. Choose between an upholstered version with a black PU leather seat or a veneer seat. The chair also has the practical feature of being possible to hang up on a high table.

The HC1 bar stool is from the same range as the HT1 table by Andersen.

PRODUCT HIGHLIGHTS

- Available in heights of 67 cm and 80 cm
- Option to hang from a high table
- Available with an upholstered PU leather seat or a veneer seat
- Tasteful design that gives the chair lightness and a soft aesthetic



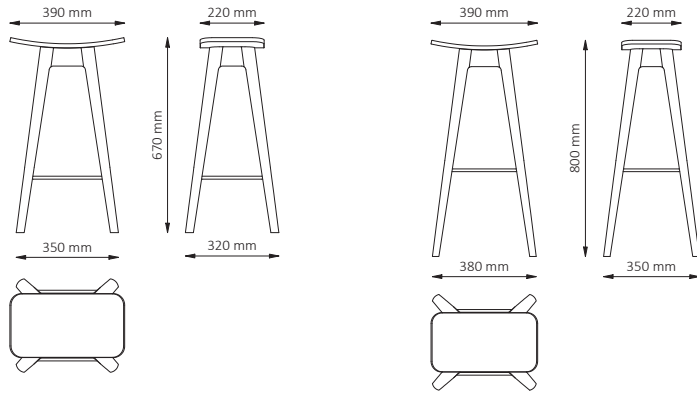
HC1 BAR STOOL

Design: Anne Qvist



DIMENSIONS

HC1 // Bar stool	67 cm	80 cm
Depth	22 cm	22 cm
Width	39 cm	39 cm
Seat	67 cm	80 cm
Weight	4 kg	4 kg



SEAT



Black / black Aston PU leather seat



Black / veneer seat



Oak, white pigmented matt lacquer / veneer seat

LEGS



Oak, white pigmented matt lacquer



Oak, black

RING



Ring in brushed steel
(for chairs in oak, white pigmented matt lacquer)



Ring in black
(For chairs in oak, black)

ACCESSORIES

An optional suspension bracket can be purchased so that the bar stool can be hung from a high table.

CLEANING

For daily cleaning, wipe the chair with a damp cloth. If the chair is dirty, it can be cleaned with a cloth which has been wrung out in mild soapy water. Wipe the leather cushion and leather cover with a wrung-out cloth and then with a dry cloth.

TESTS/CERTIFICATES

The HC1 bar stool fulfils the requirements in EN 1022:2005 and EN 16139:2013. Furniture - Strength, durability and safety.



HC1 BAR STOOL

Design: Anne Quist