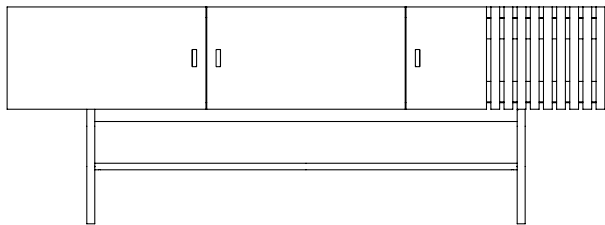


ASSEMBLY INSTRUCTION

# Array

LOW SIDEBORD



Woud

ARRAY IS INSPIRED BY THE WOODEN SLATE CLADDING FOUND IN MODERN ARCHITECTURE. WITH ITS GEOMETRIC SHAPE AND HORIZONTAL SLATES, ARRAY CREATES A STRONG VISUAL DEPTH EFFECT FROM CATCHING BOTH LIGHT AND SHADOW. THE ILLUSION OF TRANSPARENCY IS INTENDED TO CREATE A FEELING OF GROWING CURIOSITY AS YOU GET A GLIMPSE OF WHAT IS HIDDEN BEHIND THE CLOSED DOORS. THE SLEEK LEGS LIFT THE SIDEBOARD FROM THE GROUND CREATING AN ELEGANT CONTRAST BETWEEN THE SOLID WOODEN CABINET ON TOP AND THE THIN METAL CONSTRUCTION UNDERNEATH. THE ARRAY SERIES IS GRAPHICAL AND MODERN IN ITS EXPRESSION WITH A MYSTERIOUS SHELL TO CONTAIN YOUR PERSONAL ITEMS.

Kasper & Nikolaj  
SAYS WHO

**TAKE CARE**

**WE HAVE NOW HANDED OVER  
ONE OF OUR DARLINGS TO YOU.  
NOW IT IS YOURS. TAKE GOOD  
CARE OF IT. YOU CAN READ THE  
CARE INSTRUCTIONS FOR ALL  
OUR MATERIALS AT OUR WEBSITE.**

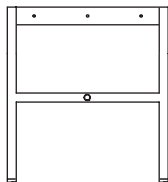
**WOUD.DK/TAKECARE**

# **ASSEMBLY INSTRUCTION**

**PLEASE GO THROUGH THE FOLLOWING  
STEPS CAREFULLY. RETAIN THIS MANUAL  
FOR FUTURE REFERENCE TO ENSURE THAT  
YOUR NEW ITEM IS CORRECTLY ASSEMBLED  
IN CASE IT SHOULD BE DISASSEMBLED OR  
MOVED. WE ARE NOT RESPONSIBLE FOR  
ANY FAULTS OR DAMAGES CAUSED BY  
NOT FOLLOWING THESE INSTRUCTIONS  
CORRECTLY.**



**A X 1**



**B X 2**



**C X 1**



**D X 6**



**E X 2**



**F X 12**



**G X 1**



**H X 1**



**I X 1**

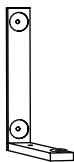


**J X 2**



**K X 2**

**A x 1**



**L x 2**



**M x 4**

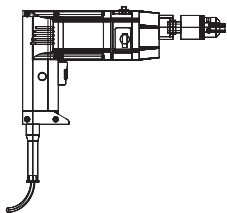
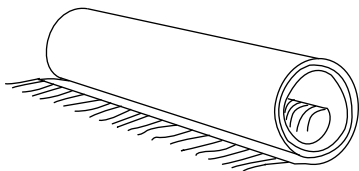


**N x 4**

# TOOLS NEEDED

IMPORTANT (NOT INCLUDED)!

USE WALL PLUGS AND DRILLS SUITABLE FOR YOUR WALL. BE CAREFUL WITH THIN/PLASTER/DRY WALLS AND SOLID CONCRETE WALLS. IN CASE OF DOUBT, WE RECOMMEND THAT YOU ASK A PROFESSIONAL.



x 2



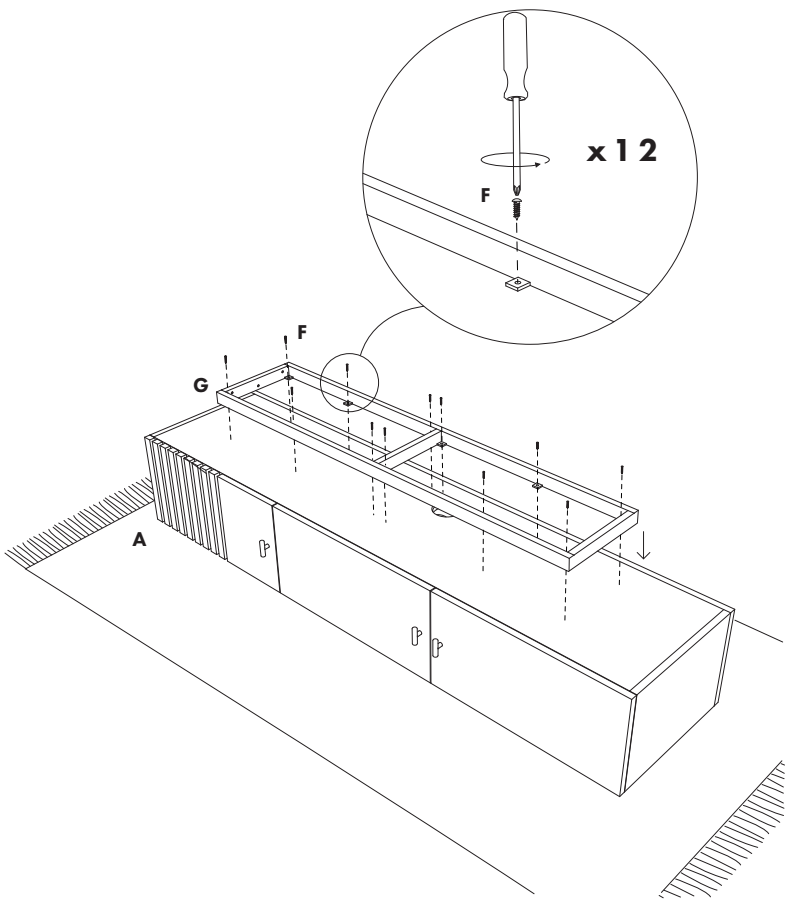
x 2





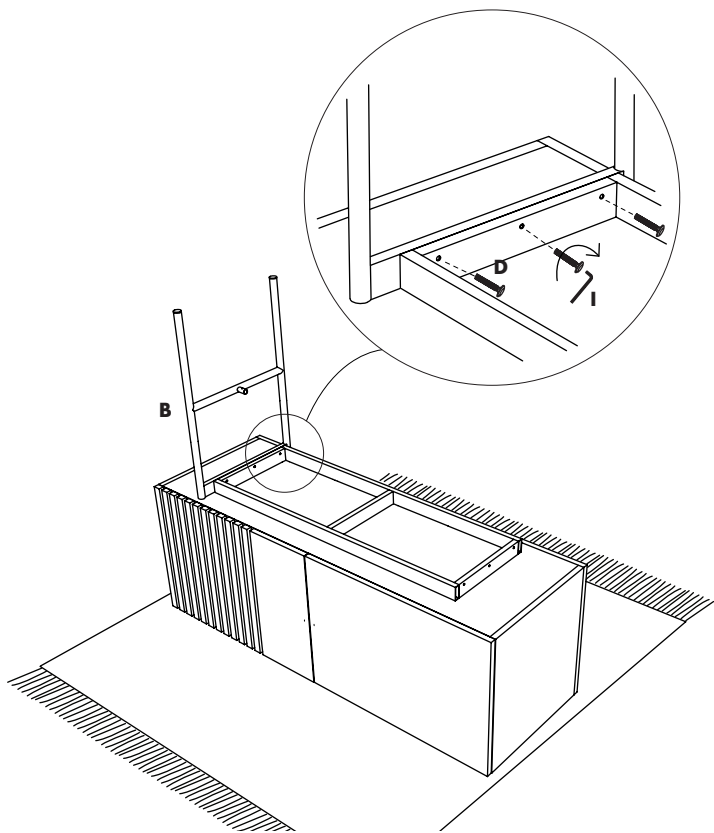
# STEP 1

MOUNT THE METAL FRAME UNDER THE WOODEN CABINET



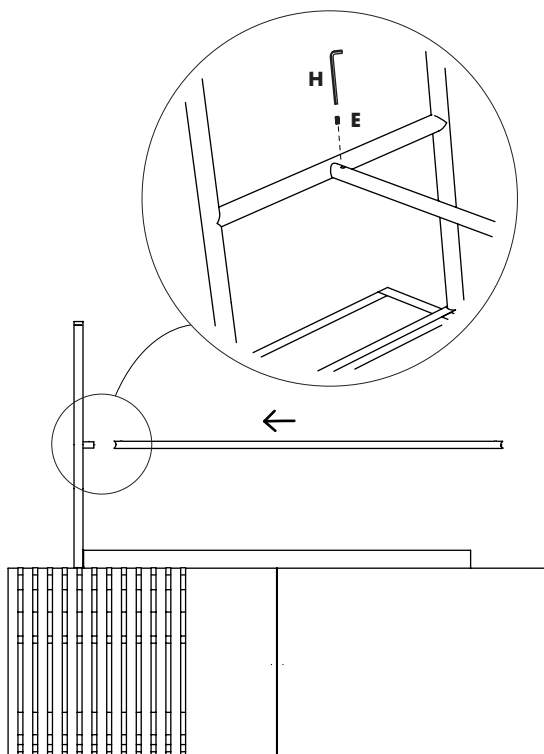
## STEP 2

MOUNT THE LEGS ON THE METAL FRAME UNDER THE WOODEN CABINET



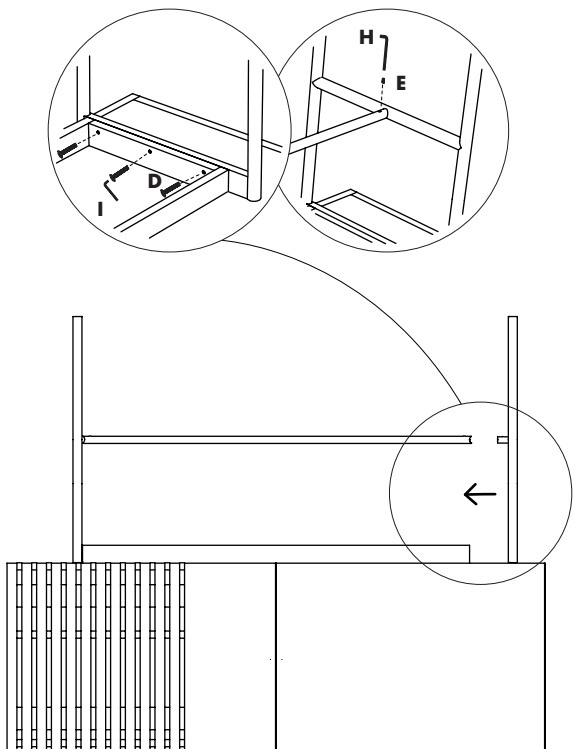
# STEP 3

MOUNT THE METAL CROSSBAR ONTO THE LEG



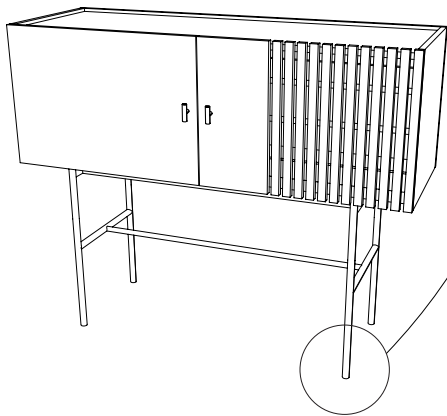
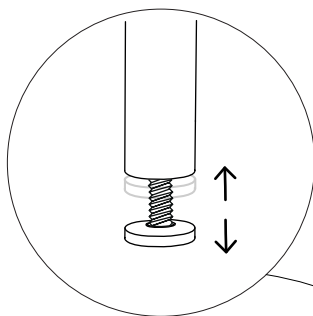
## STEP 4

MOUNT THE SECOND LEG ON THE METAL FRAME AND CROSSBAR



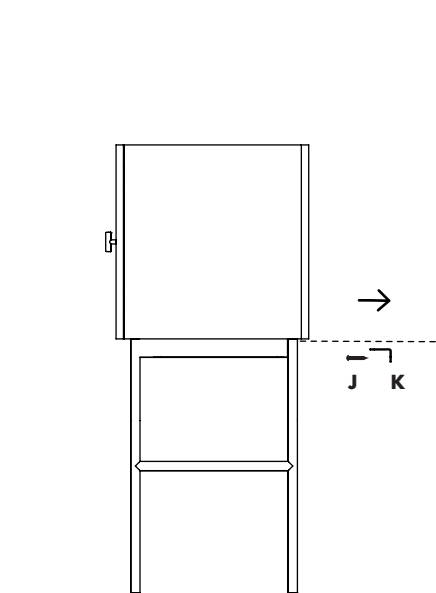
## STEP 4

ADJUST THE FEET TO LEVEL THE CABINET.  
SEE THE LAST PAGES FOR MOUNTING THE  
HANDLES AND ADJUSTING THE DOORS

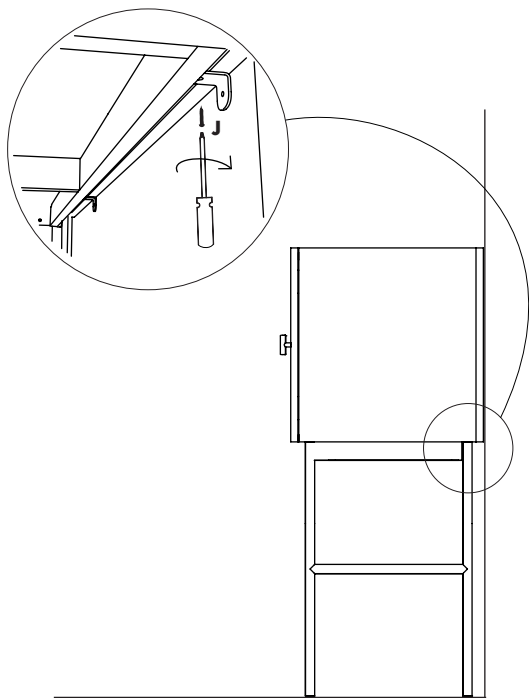


# SAFETY INSTRUCTIONS

TO PREVENT THIS FURNITURE FROM TIPPING OVER  
RESULTING IN SERIOUS OR FATAL INJURIES, IT MUST  
BE PERMANENTLY FIXED TO THE WALL



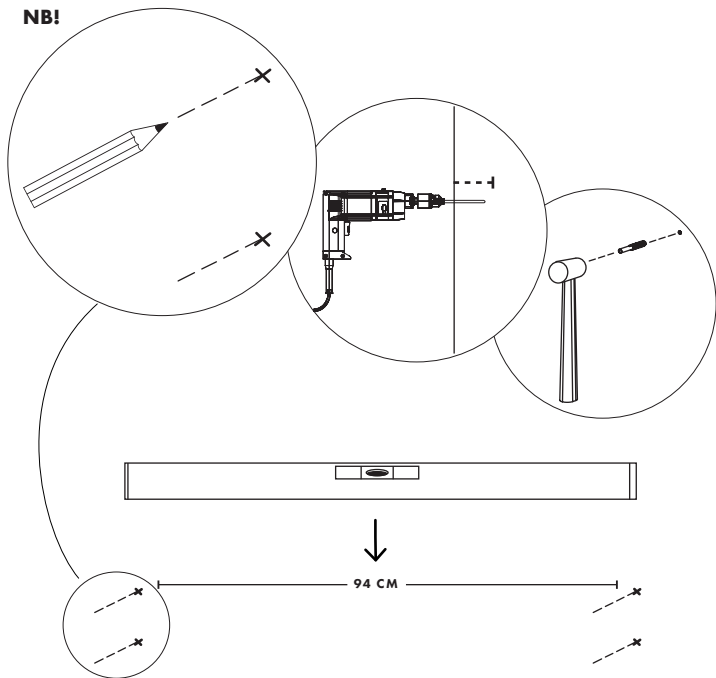
**MEASURE THE HEIGHT AND DRILL HOLES IN THE WALL. APPLY SUITABLE WALL PLUGS. MOUNT THE METAL BRACKET TO THE WALL WITH SCREWS AND THEN MOUNT THE BRACKET TO THE CABINET.**



# STEP 1

LEVEL, MARK (DISTANCE 94 CM), DRILL AND USE SUITABLE WALL PLUGS  
AND THE SCREWS.

**NB!**

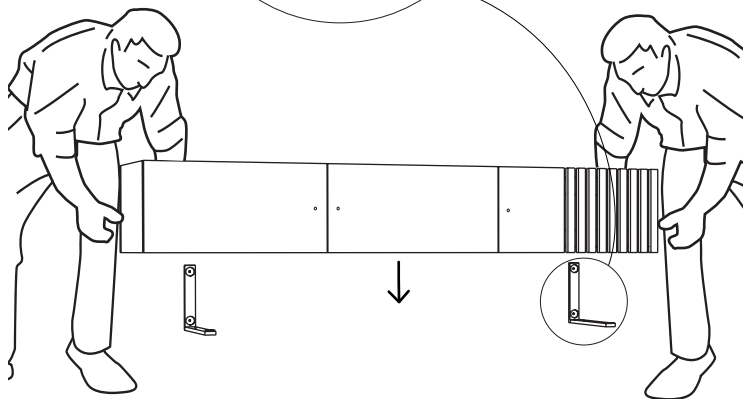
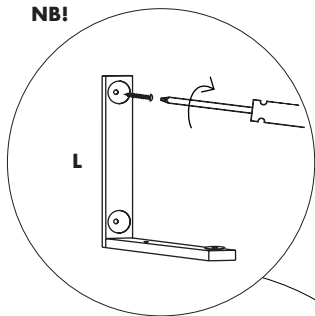




## STEP 2

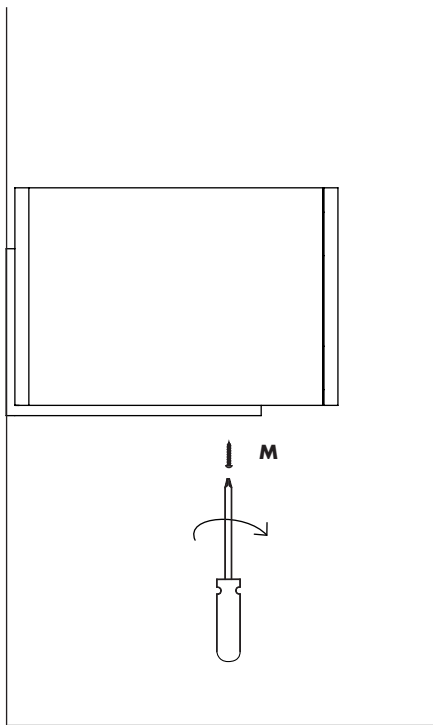
PLACE THE METAL WALL BRACKETS AND SCREW THEM ON TO THE WALL.  
TWO PEOPLE IS NEED TO PLACE THE CABINET ON THE BRACKETS.

**NB!**



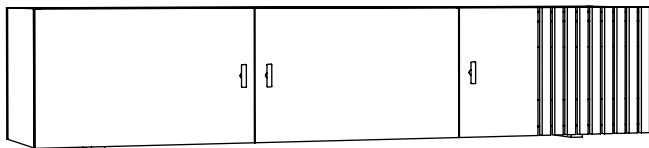
## STEP 3

MOUNT THE CABINET TO THE METAL WALL BRACKETS

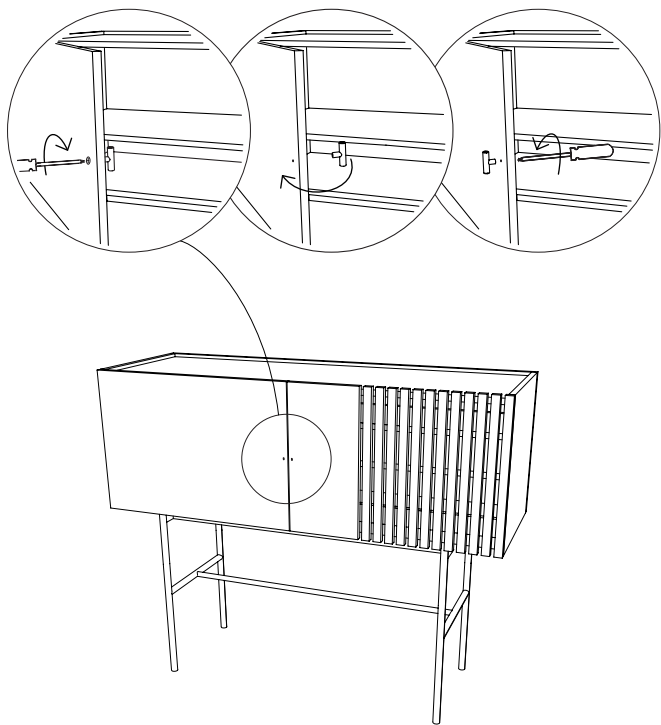


## STEP 4

SEE THE FOLLOWING PAGES FOR MOUNTING  
THE HANDLES AND ADJUSTING THE DOORS

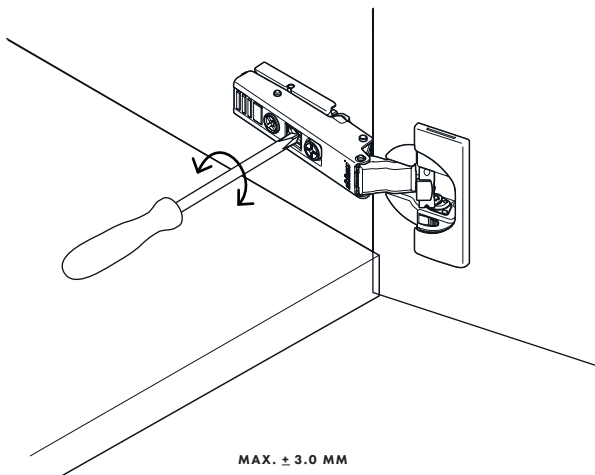
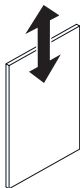


**DETACH THE HANDLES FROM THE INSIDE OF THE CABINET  
AND ATTACH THEM ON THE OUTSIDE OF THE WOODEN DOORS**

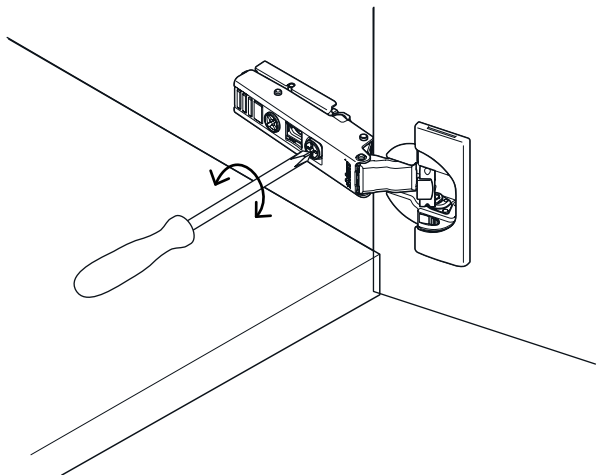


# ADJUSTMENT INSTRUCTIONS

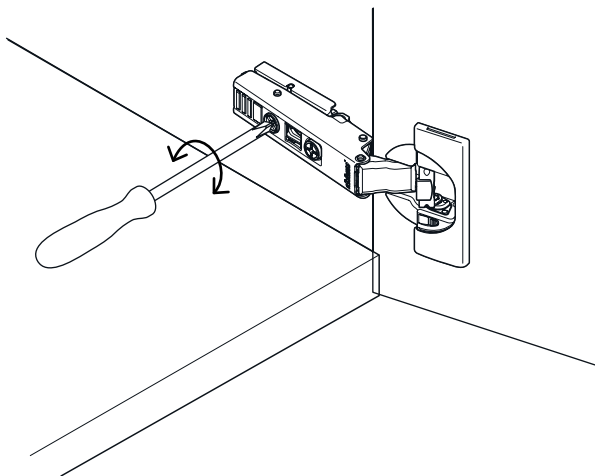
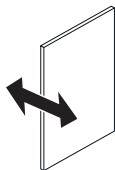
SHOULD YOU NEED TO LEVEL THE DOORS,  
PLEASE FOLLOW THESE INSTRUCTIONS.



MAX.  $\pm$  3.0 MM



$\pm 2.0 \text{ MM}$



+ 3.0 / - 2.0 MM

DESIGNED BY  
**SAYS WHO**