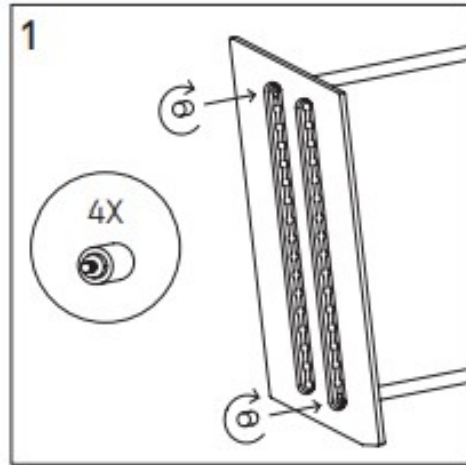
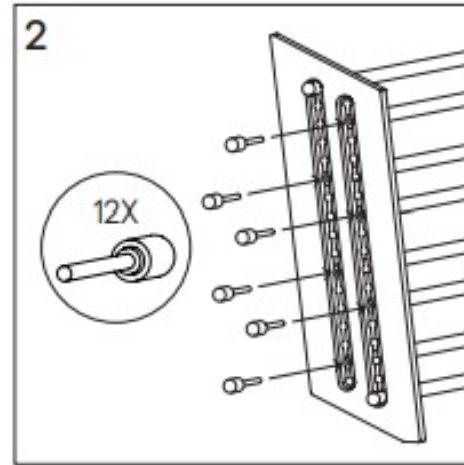


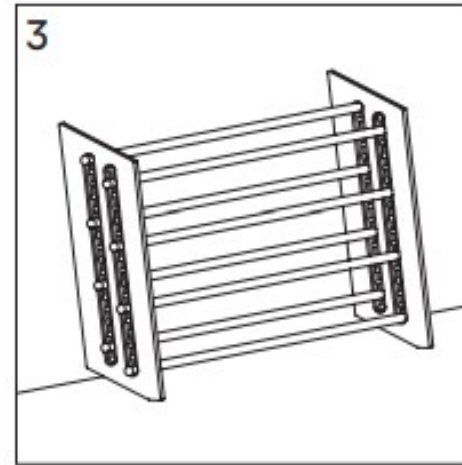
Assembly guide



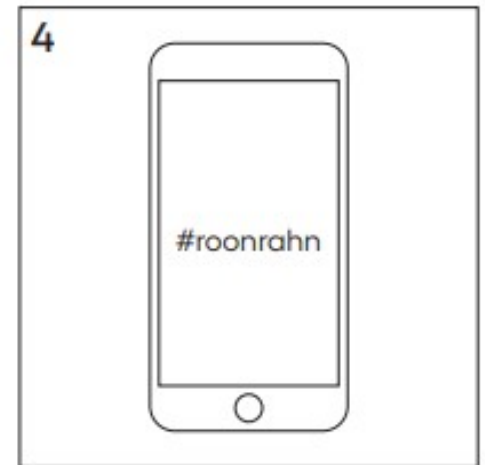
Make sure the sides are not upside down. Mount the wood poles with bushings in the top and bottom position. Fasten the small wood screws. Tighten well, without over tightening.



Mount the rest of the wood poles. Three in each acrylic recess. Use the long wood pegs.

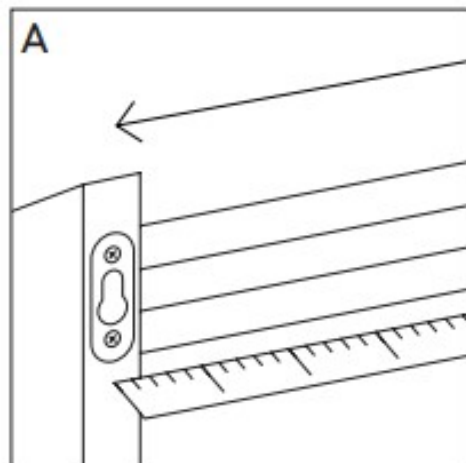


Place your Moodstand against the wall and adjust the wood poles to fit your different shoes. (Continue below for wall mount)

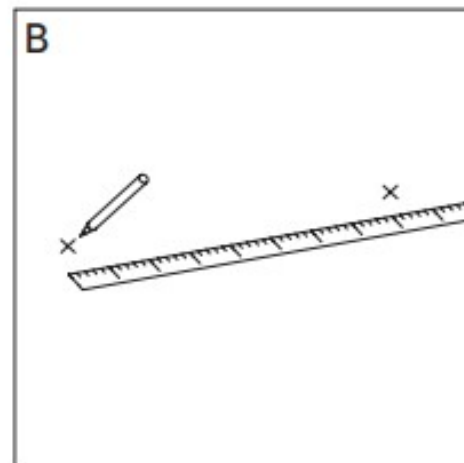


Share your brand new original Roon & Rahn product with your friend and be inspired by others.

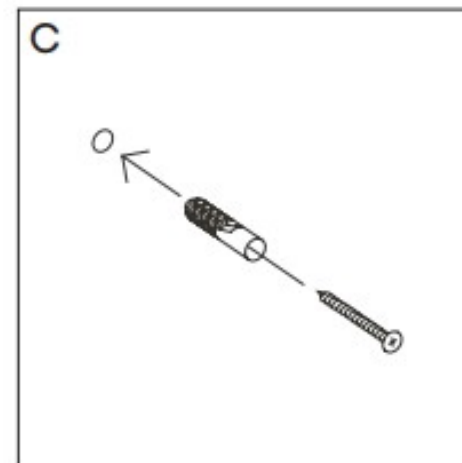
Wall mount guide



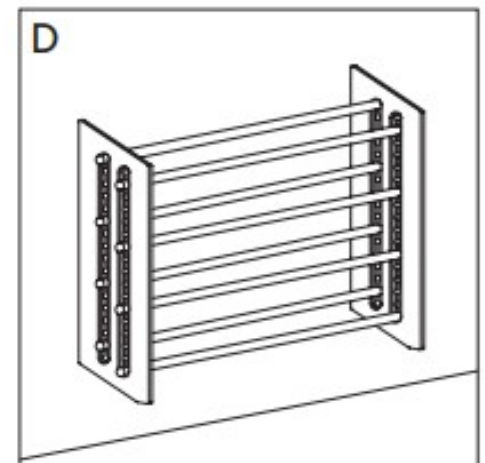
Measure the distance between the center of the wall mounts on the back of each Moodstand side.



Mark the measured distance on the wall. Make sure it is leveled.



Drill a hole at the two marks. Insert the wall plugs and screw in the enclosed screws.



Now your Moodstand is ready to shine on the wall + easy access for vacuum cleaning :)