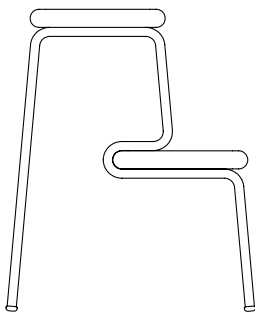


ASSEMBLY INSTRUCTION

Slalom



WOUD

THE DESIGN OF THE SLALOM STEP
STOOL WAS INSPIRED BY MY FIRST
SKIING TRIP TO NORTHERN SWEDEN. I
WAS FASCINATED BY THE DYNAMICS AND
THE TRACES CREATED BY ATHLETES IN THE
SLALOM MOVEMENT. SMOOTH BUT WITH
TENSION. A FEELING I TRANSFORMED
INTO THE SILHOUETTE OF THE DESIGN.
I HOPE YOU FEEL COMFTABLE FROM THE
VERY FIRST STEP.

Q | AN
J | ANG

QIAN JIANG / STUDIO DEJAWU

ASSEMBLY INSTRUCTION

**PLEASE GO THROUGH THE FOLLOWING
STEPS CAREFULLY. RETAIN THIS MANUAL
FOR FUTURE REFERENCE TO ENSURE THAT
YOUR NEW ITEM IS CORRECTLY ASSEMBLED
IN CASE IT SHOULD BE DISASSEMBLED OR
MOVED. WE ARE NOT RESPONSIBLE FOR
ANY FAULTS OR DAMAGES CAUSED BY
NOT FOLLOWING THESE INSTRUCTIONS
CORRECTLY.**

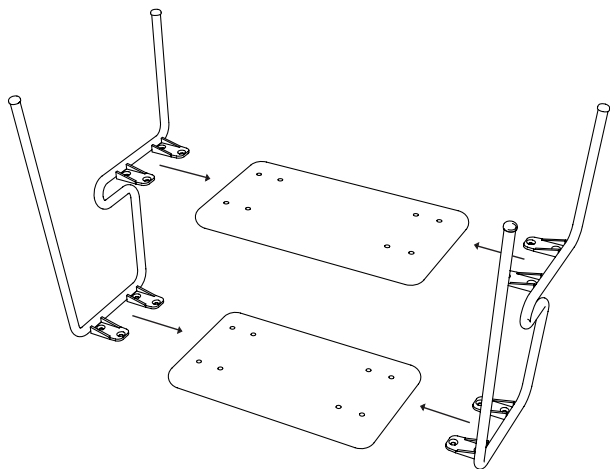
TAKE CARE

WE HAVE NOW HANDED OVER
ONE OF OUR DARLINGS TO YOU.
NOW IT IS YOURS. TAKE GOOD
CARE OF IT. YOU CAN READ THE
CARE INSTRUCTIONS FOR ALL
OUR MATERIALS AT OUR WEBSITE.

WOUD.DK/TAKECARE

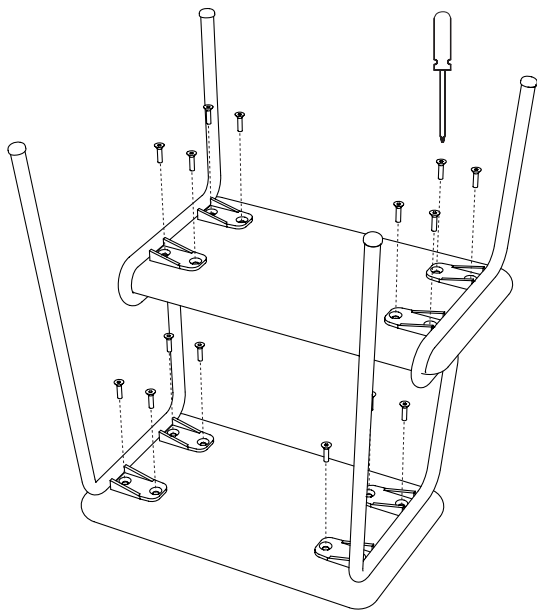
STEP 1

ASSEMBLE THE LEGS AND STEPS. NOTE THAT, THE STEPS ARE TWO DIFFERENT SIZES. POSITION THE SMALL STEP TOWARDS THE TOP OF THE FURNITURE.



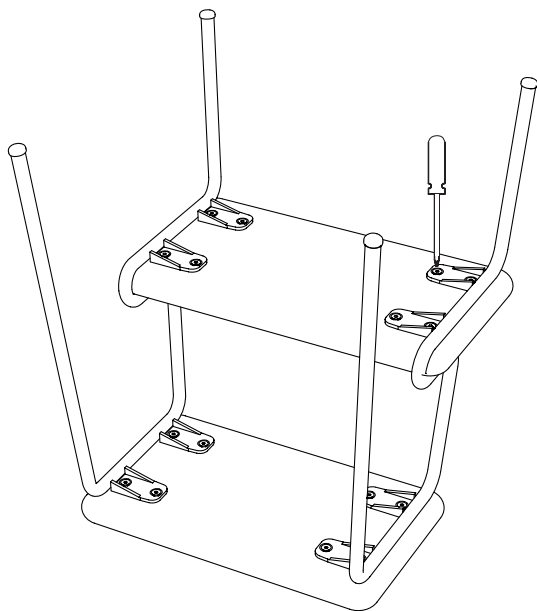
STEP 2

SCREW ALL PARTS TOGETHER WITHOUT COMPLETELY TIGHTENING THE SCREWS.



STEP 3

TIGHTEN ALL SCREWS.



DESIGNED BY
QIAN JIANG / STUDIO DEJAWU